

## QUICK LIFT PALLET TRUCK 2500

### Features

**Quick Lift - within 2 strokes**

**New Fork Design for more strength**

**Additional Entry and Exit Rollers**

**Self-Lubricating Bearings**

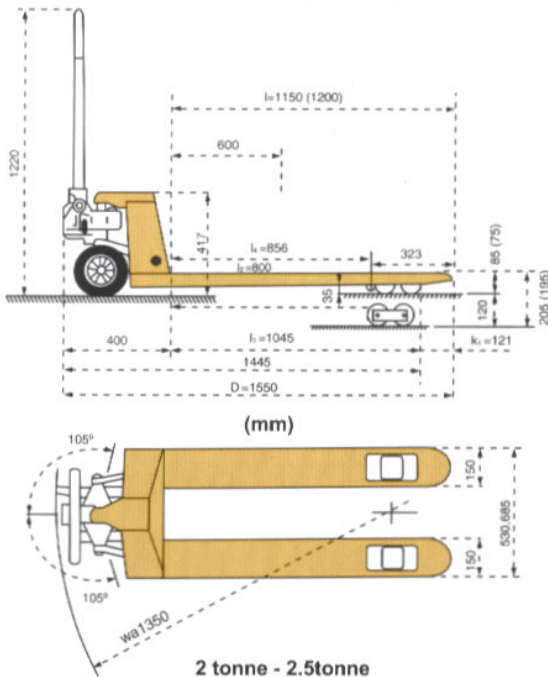
**Ergonomic Handle**

**Adjustable Push Rod**



### Specifications

Stock Number	<b>DL5</b>	Individual Fork Width	<b>150 mm</b>
Make	<b>Durolift</b>	Overall Fork Width	<b>530 mm</b>
Year	<b>* NEW *</b>	Forks Length	<b>1150 mm</b>
Capacity - kg	<b>2500 kg</b>	Net Weight	<b>77 kg</b>
Fork Lift Height - Minimum	<b>85 mm</b>	General Description	<b>Longer Life hydraulic pump, Adjustable Push Rod</b>
Fork Lift Height - Maximum	<b>205 mm</b>	Price (excluding Delivery & V.A.T.)	<b>£ 250 ex. works</b>



## FORK TRUCK CENTRE

WAREHOUSE FORK TRUCK SPECIALISTS