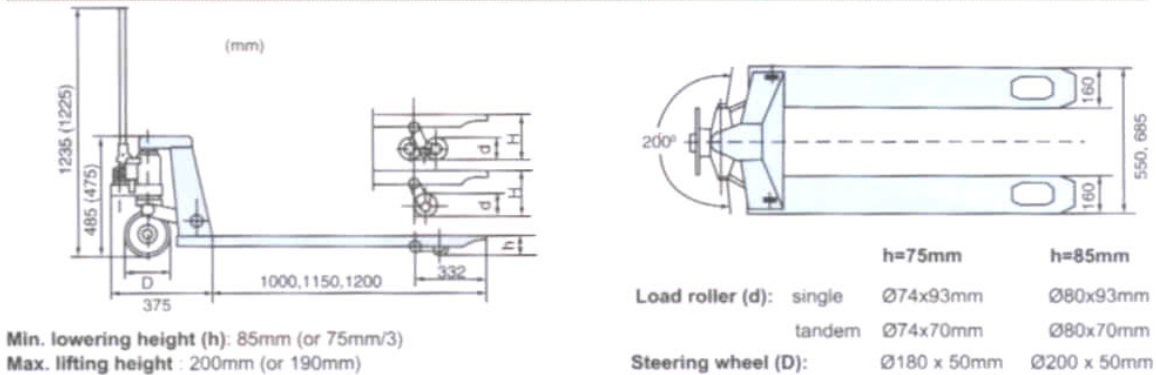
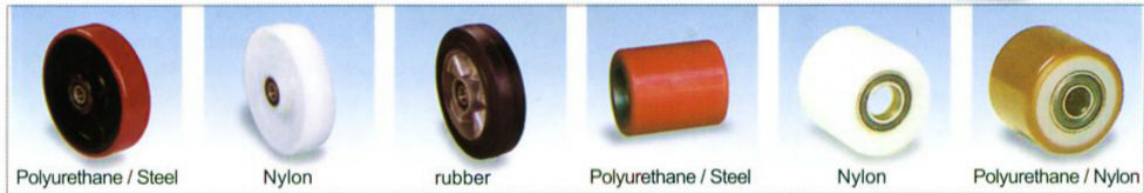


**HAND PALLET TRUCK 2500 - (Short Forks)****Features****Durable Hydraulic Pump****Fork Frame in heavy gauge steel****Central Fingertip Controls with the handle in any position****Specifications**

Stock Number	<b>DL1</b>
Make	<b>Durolift</b>
Year	<b>* NEW *</b>
Capacity - kg	<b>2500 kg</b>
Fork Lift Height - Minimum	<b>85 mm</b>
Fork Lift Height - Maximum	<b>200 mm</b>
Individual Fork Width	<b>160 mm</b>
Overall Fork Width	<b>550 mm</b>
Forks Length	<b>800 mm</b>
General Description	<b>Heavy Duty hydraulic pump</b>
Price (excluding Delivery & V.A.T.)	<b>£ 210 ex. works</b>



**FORK TRUCK CENTRE**  
**WAREHOUSE FORK TRUCK SPECIALISTS**